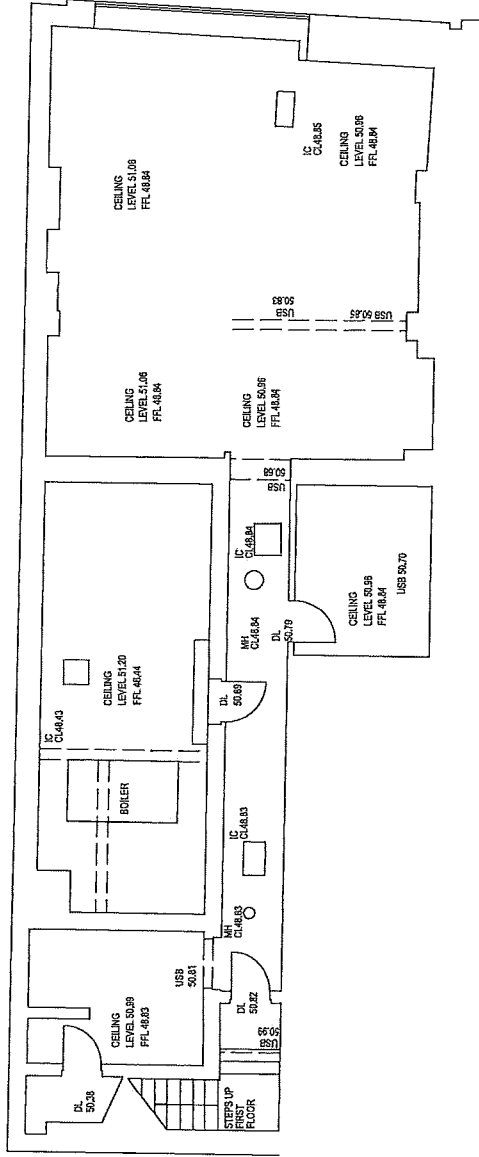


Option 3



Client	Scale	Rev. Description	Date	By	Checked
Project	1:100 @ A3	Description	01.06.2017	JS	JB
17 - 18 Cornhill, Bury St. Edmunds		Basement floor plan			
		Option 3			

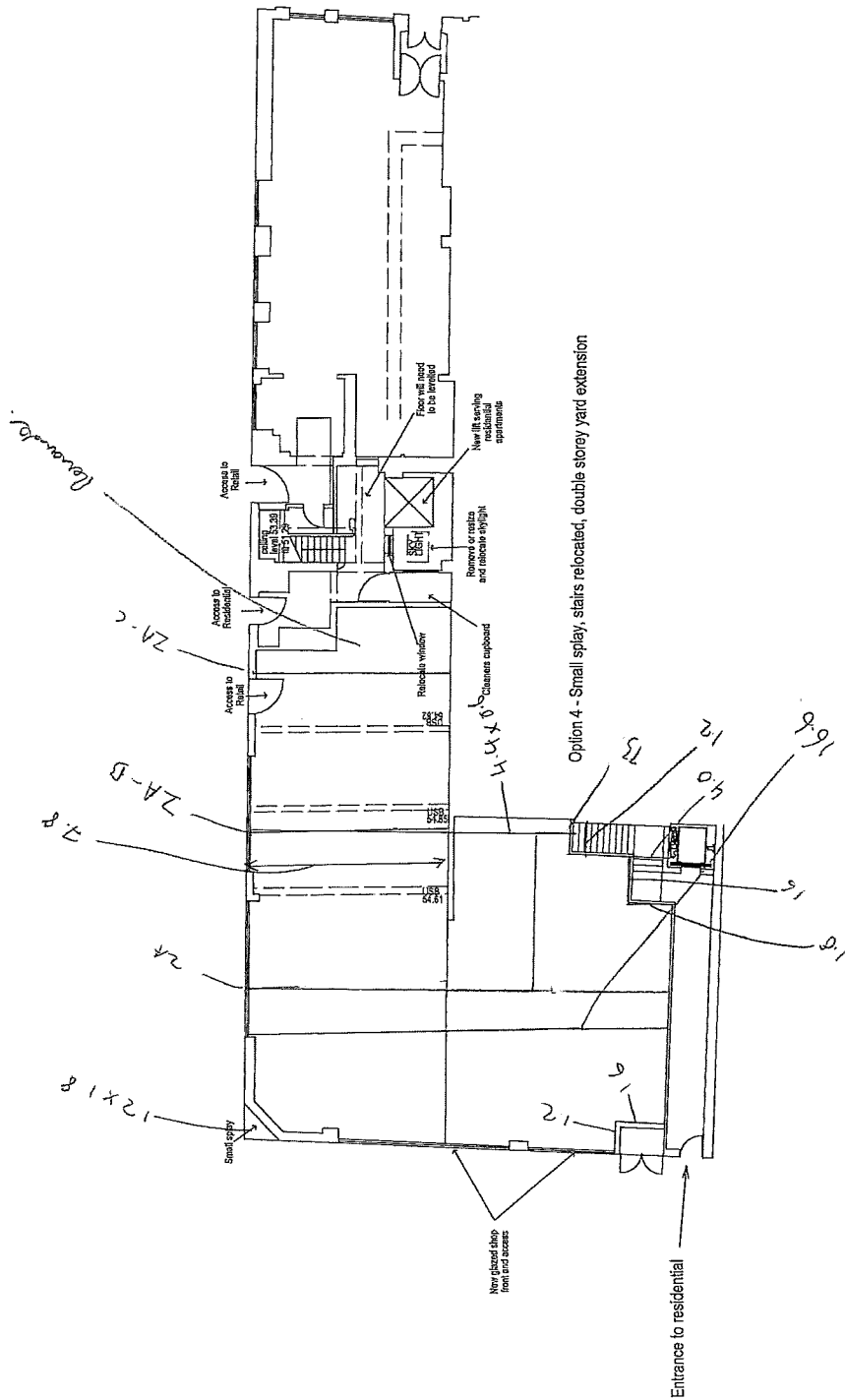
40 Bank Street
 Canary Wharf
 London E14 5EG
 T +44 (0)20 7463 4833
 www.joneslangeselle.com



THIS DRAWING IS PROTECTED BY COPYRIGHT. IT MAY NOT BE REPRODUCED IN ANY FORM OR BY ANY MEANS FOR ANY PURPOSE, WITHOUT OBTAINING PRIOR WRITTEN PERMISSION FROM JONES LANG LASALLE. DO NOT SCALE THIS DRAWING. CHECK ALL DIMENSIONS ON SITE.

Date By Checkd
 Job
 Dwg SJK-01
 Rev

Option 3



Rev	Description	Date	By	Checked
	Ground floor plan - Option 2 Option 3			
01		01.06.2017	IS	JB
02				
03				

Scale	1:200 @ A3
Date	01.06.2017
By	IS
Checked	JB

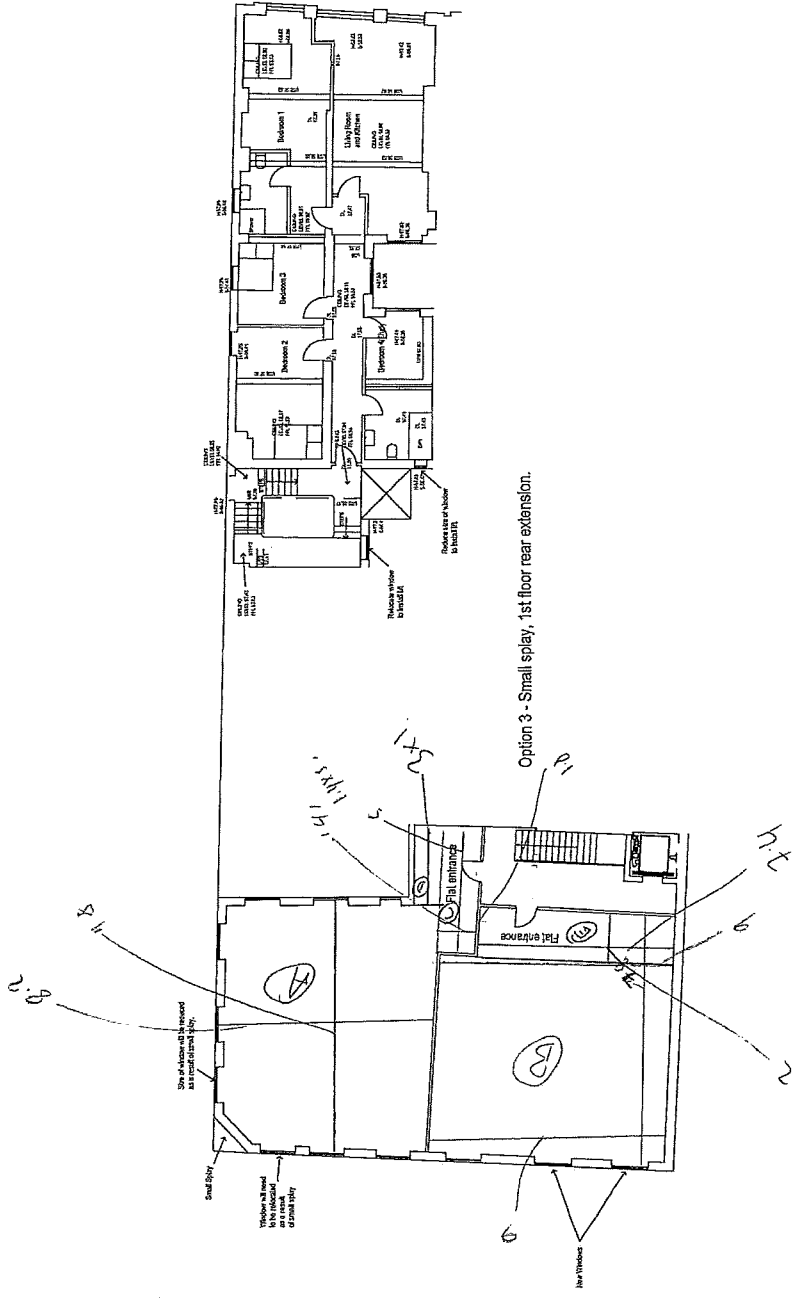
Client
 Project
 17 - 18 Cornhill, Bury St. Edmunds

40 Bank Street
 Canary Wharf
 London E14 5EG
 T +44 (0)20 7493 4933
 www.jll.com

JLL
 Real value in a changing world

THIS DRAWING IS PROTECTED BY COPYRIGHT. IT MAY NOT BE REPRODUCED IN ANY FORM OR BY ANY MEANS FOR ANY PURPOSE, WITHOUT OBTAINING PRIOR WRITTEN PERMISSION FROM JONES LANG LASALLE. DO NOT SCALE THIS DRAWING. CHECK ALL DIMENSIONS ON SITE.

Option 3



Option 3 - Small splay, 1st floor rear extension.

Client	Scale	Rev.	Date	By	Checkd
Project	1:200 @ A3	Description			
17 - 18 Cornhill, Pury St. Edmunds	Date	Description			
	01.06.2017	First floor plan - Option 3			
	By	Checked			
	JS	JB			

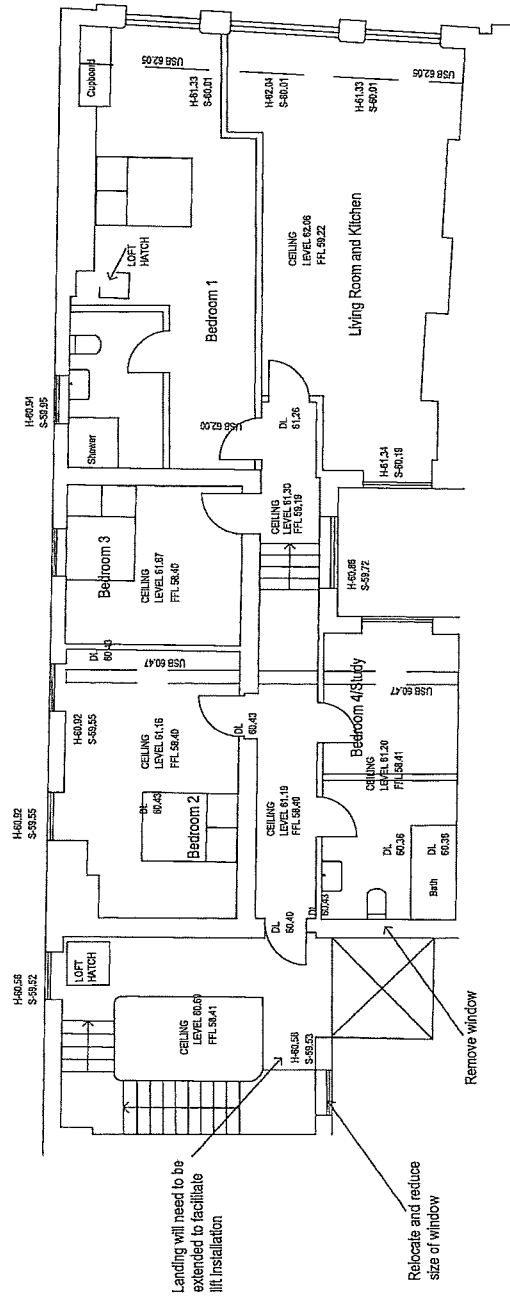
40 Bank Street
 Canary Wharf
 London E14 5EG
 T 444 (0)20 7493 4833
 www.joneslanglasalle.com



Real value in a changing world

THIS DRAWING IS PROTECTED BY COPYRIGHT. IT MAY NOT BE REPRODUCED IN ANY FORM OR BY ANY MEANS FOR ANY PURPOSE, WITHOUT GAINING PRIOR WRITTEN PERMISSION FROM JONES LANG LASALLE. DO NOT SCALE THIS DRAWING. CHECK ALL DIMENSIONS ON SITE.

Option 3



Date	By	Checked

Rev	Description
	Second floor plan - <i>Option 3</i>

Scale	Date	By	Checked
1:100 @ A3	01.06.2017	IS	JB

Client	Project
17 - 18 Cornhill, Bury St. Edmunds	

THIS DRAWING IS PROTECTED BY COPYRIGHT. IT MAY NOT BE REPRODUCED IN ANY FORM OR BY ANY MEANS FOR ANY PURPOSE, WITHOUT GAINING PRIOR WRITTEN PERMISSION FROM JONES LANG LASALLE
DO NOT SCALE THIS DRAWING. CHECK ALL DIMENSIONS ON SITE

40 Bank Street
Canary Wharf
London E14 5EG
T +44 (0)20 7463 4933
www.joneslanglasalle.com



Real value in a changing world